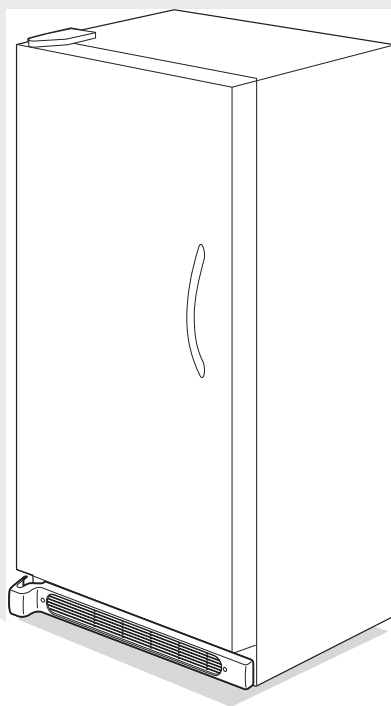


INTERFLEX

INTERNATIONAL

Factory Parts Catalog



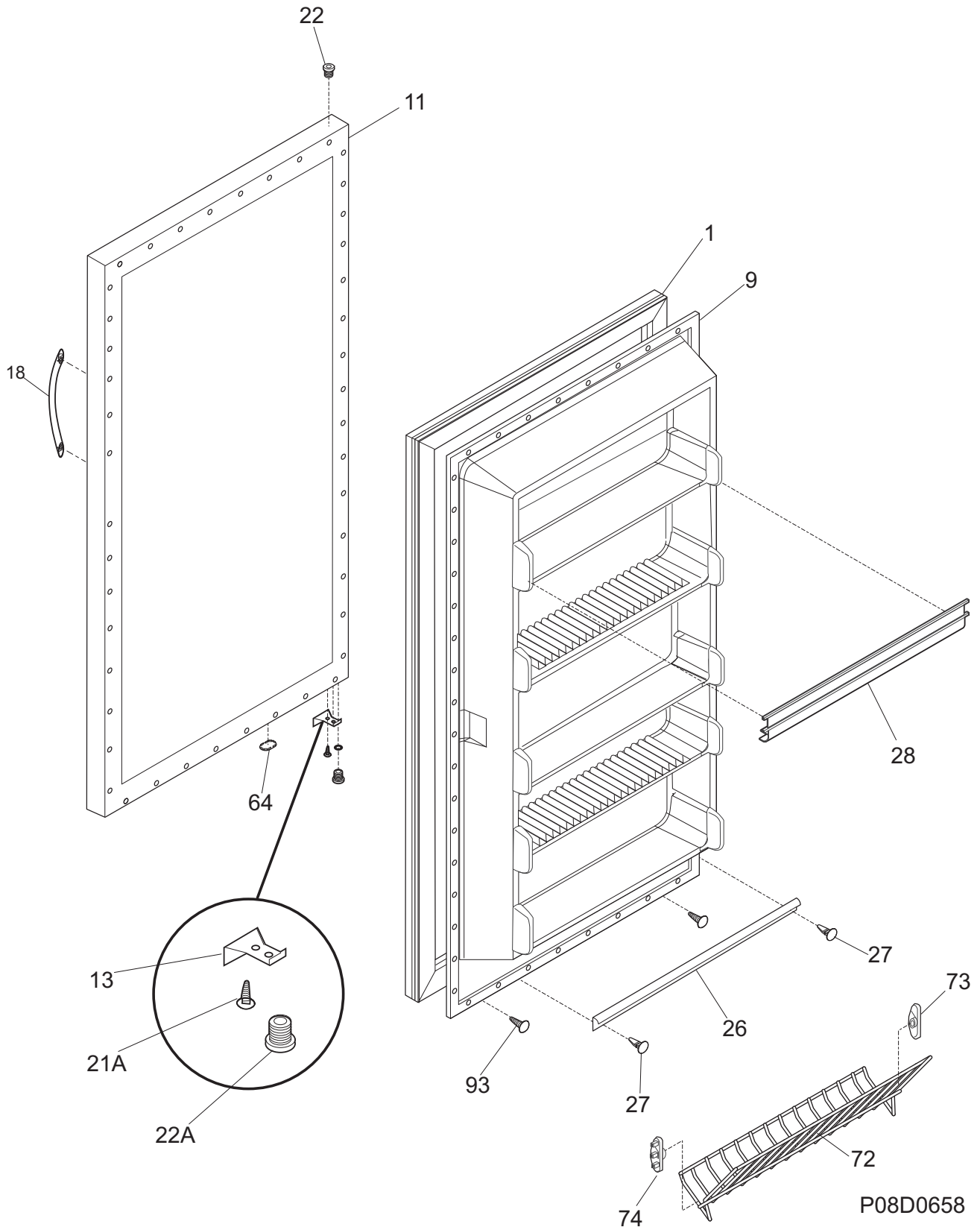
Product No.	MUFD17V9GS5
Series	Twins
Color	black-s/s
Volts	230V
Wiring Diagram	297005601
Owner's Guide	297038600
Market	International

UPRIGHT FREEZER

Model No.
MUFD17V9GS

Publication No.
5995598488
11/08/15
(EN/SERVICE/VJW)
365

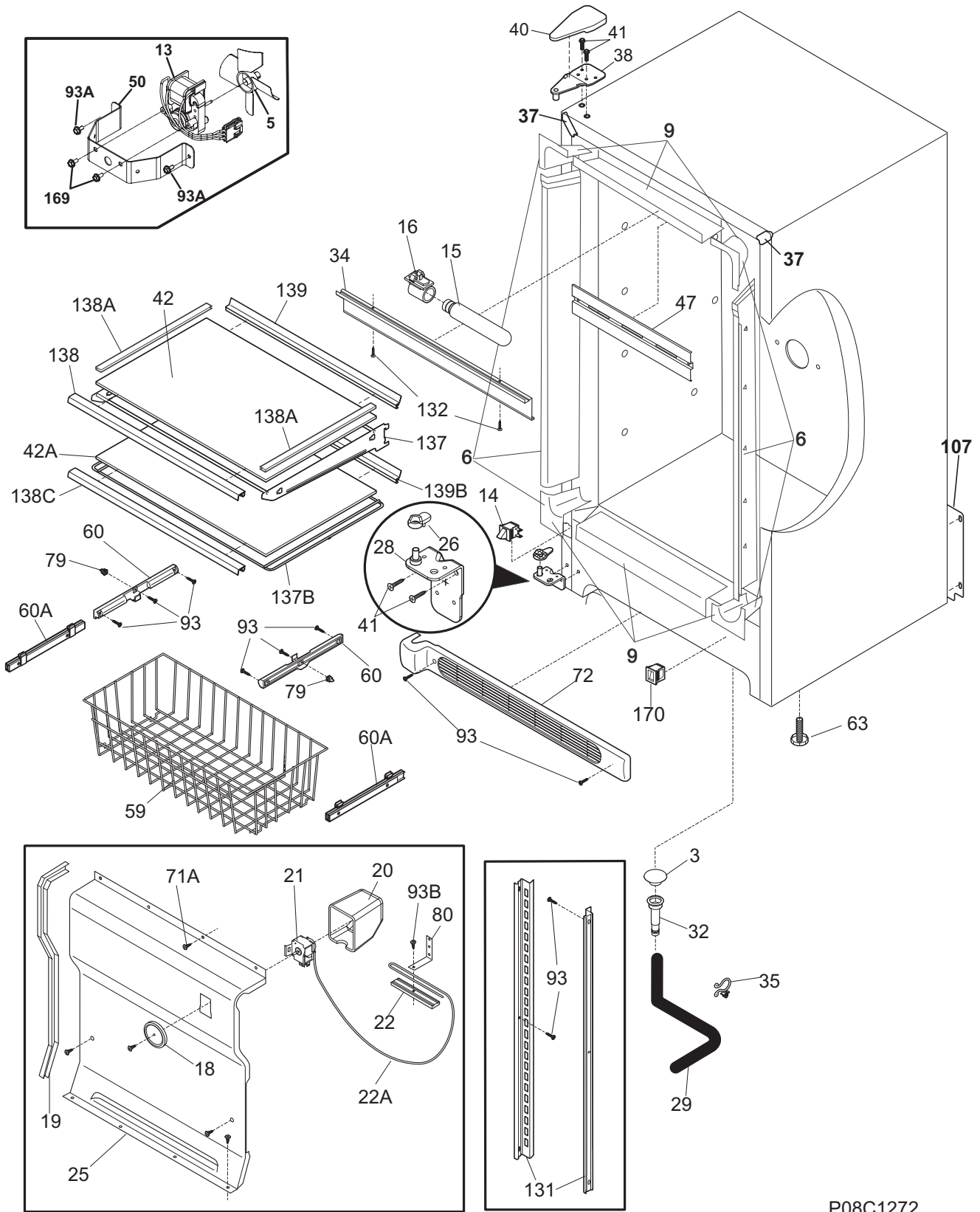
DOOR



DOOR

POS. NO	PART NO.	DESCRIPTION
1	216522361	Gasket-door, black
9	216527813	Panel-inner door
11	297352725	Panel-, outer door, stainless
13	297257002	Door Stop, LH
18	240536818	Handle-door, stainless steel, with insert, & set screw
*	218755402	Screw-set, 10-32 x 0.375
*	218755504	Screw-shoulder, #10 AB, handle mounting
*	297048000	Screw, anchor, #8, white
*	240537301	Nut-anchor, door hdl screw
21A	297197500	Screw, door stop mtg, FH38-16X.750, P Twin
22	216970800	Bearing, hinge w/o'ring, top
22A	297006800	Bearing-hinge, btm, w/o'ring
26	216524201	Gasket, secondary
27	5304472186	Clip, panel mtg
27*	5304406520	Clip, panel mtg kit, (40)
28	216806100	Rack-door, contour, (3)
64	216403700	Plug-button, hole filler, door base
72	216514100	Shelf, tilt out, wire
73	216513900	End Cap, shelf, LH, tilt-out
74	216514000	End Cap, shelf, RH, tilt-out
93	216858001	Screw, 8-18x.50 AB, #10

CABINET

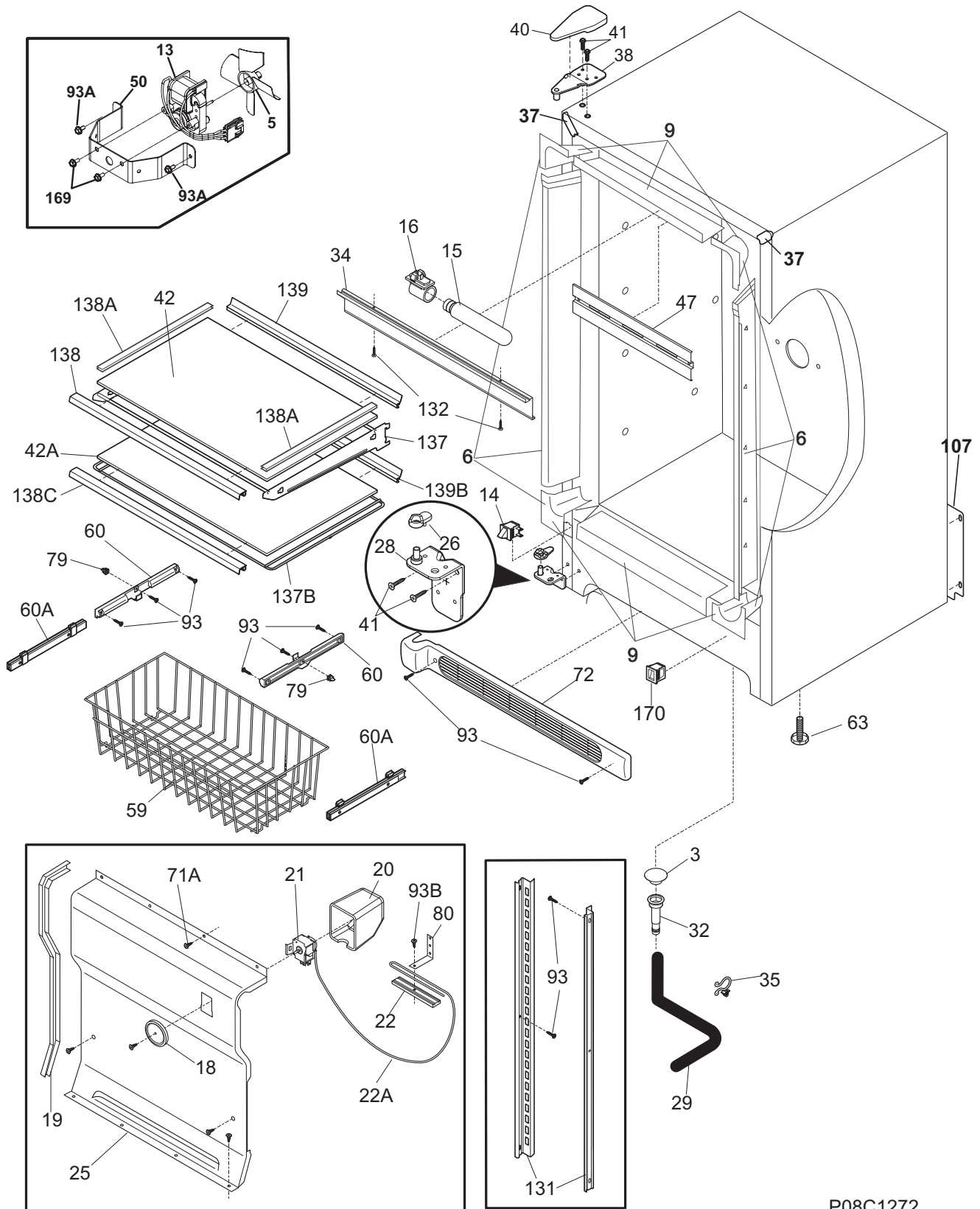


P08C1272

CABINET

POS. NO	PART NO.	DESCRIPTION
3	216503100	Screen-drain
5 #	216325600	Fan Blade
6	297200600	Breaker Kit w/corners, no lock slot
9	297200100	Breaker Kit w/corners, 32", top and bottom
13 #	297250010	Motor-fan, 230V
14	216922800	Switch, light/lamp, ramp
15 #	216867800	Light Bulb/Lamp, 230-250V
16	216817600	Socket, light/lamp, 25 W
*	216876300	Collar, light socket
18	216707200	Knob, temp control
18*	137095500	Anchor, nameplate
19	216204902	Gasket-evap cover
20	216967200	Cover, temp control
21	216715203	Control-temperature
22	216823500	Clamp, cap tube, cold control
22A	5303916855	Tube, sensor sleeve, plastic, clear
25	297099250	Cover-evaporator
26	297248200	Ramp, door closer, LH
28	297283901	Hinge-bottom, stepped pin, LH
29	216313501	Hose-drain
31	297165800	Pan-drain
32	5308005500	Drain
34	216816200	Shield-light
*	297014000	Shield, light, plastic
35	216273000	Clip, wire retainer
37	297273901	Trim-cabinet corner, black, (2)
38	297283800	Hinge-upper
40	297164401	Cover-upper hinge, black
41	297236250	Screw, hex head, 1/4-20x5/8, hinge, (4)
42	216983101	Glass-shelf, full shelf
42A	297007700	Glass-shelf, sliding
47	216661600	Plate, baffle, snap fit
50	216394050	Bracket, fan motor mount
59	216939300	Basket, (2)
60	297013500	Slide, shelf
60A	297291220	Slide-basket, w/2 clips, RH
60A	297291221	Slide-basket, w/2 clips, LH
60A*	297305500	Clip, crisper
63	216396900	Screw, leveling foot, plastic, adjustable
63*	297164650	Bracket, LH leg levelor
63*	297164651	Bracket, RH leg levelor
71A	297146820	Screw, 8-18AB x.470 QX
72	297036901	Grille/Kickplate, 32", black
79	3017666	Nut-insert
80	06594601	Bracket, control
93	216858001	Screw, 8-18x.50 AB, #10
93A	297174300	Screw, self pierce, #8, 18x.63
*	216327800	Clip, wire
93B	216036601	Screw, RWHD, 8-32A x 0.500, GX-CA
107	297194801	Panel, access
131	241513001	Channel-shelf mtg, side, (2)

CABINET

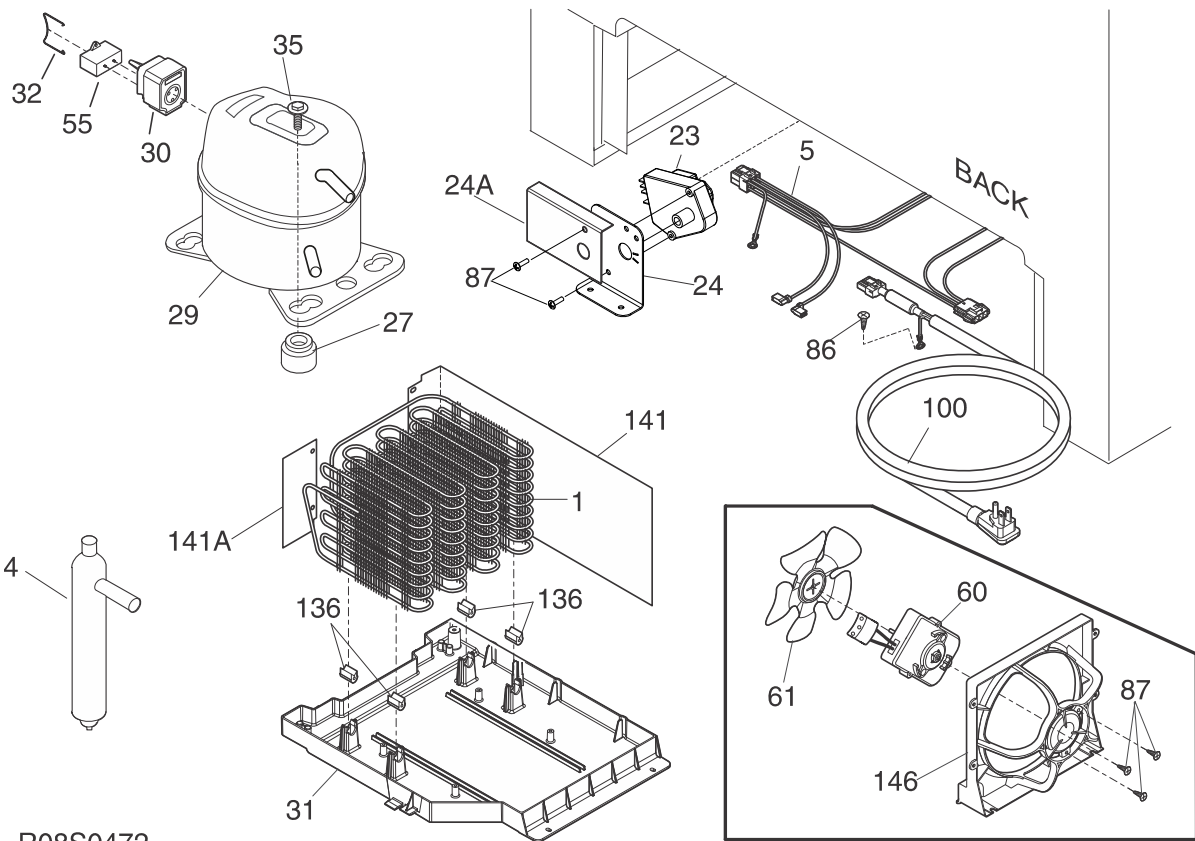
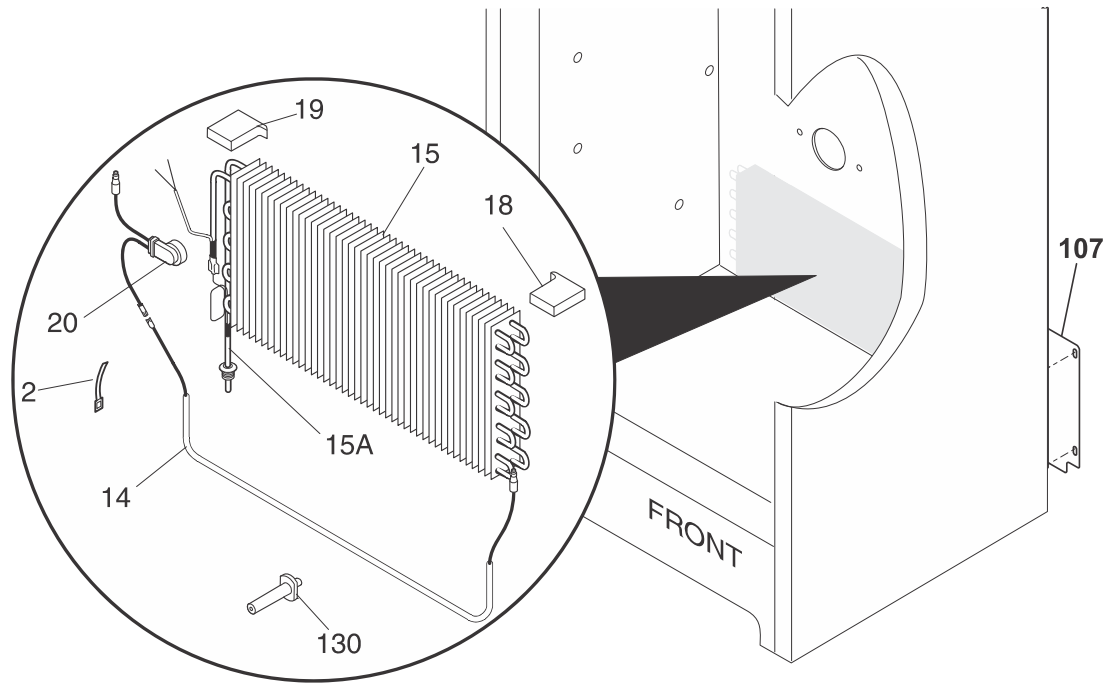


P08C1272

CABINET

POS. NO	PART NO.	DESCRIPTION
132	5304460601	Screw, 6-20AB x 3/8
137	297050600	Frame-shelf, cantilever, (2)
137B	297007600	Frame-shelf, sliding
138	297050700	Trim-shelf, front, (2)
138A	216983601	Trim-shelf, side
138C	297007800	Trim-shelf, front
139	297050800	Trim-shelf, rear, (2)
139B	297007900	Trim-shelf, rear
169	216912401	Screw, hex washer head, 8-32 x 0.500, bracket fan mtr, (2)
170	297280401	Valve, breather, black
*	297001704	Insulation, 24", drain tube
*	297005601	Service Data Sheet

SYSTEM



R08S0472

SYSTEM

POS. NO	PART NO.	DESCRIPTION
1	297152201	Condenser
2	5308000110	Strap-evap/heater, aluminum, (2)
4	216987501	Drier-filter
5 #	297171000	Harness-main, 230V
14 #	216730701	Heater-defrost
15 #	216997300	Evaporator
15A	297217900	Heat Exchanger, suct/cap tube
18	297078701	Insulator-evap, styrofoam, RH
19	297078801	Insulator-evap, styrofoam, LH
20	297216600	Thermostat, defrost
23 #	297318050	Timer, defrost, 230V, tab
24	216968501	Bracket-timer
24A	297207900	Guard, timer
27	5308002681	Grommet, compressor
29	297002801	Compressor, kit, w/grommets, & welded clip
30	216954207	Controller, compressor
31	297165800	Pan-drain
32	297359700	Clip, controller
35	297368500	Bolt, compressor
55	216985004	Capacitor, run, 5MF
60 #	241657102	Motor-condenser fan
61	241639501	Blade-condenser fan
86	216036601	Screw, RWHD, 8-32A x 0.500, GX-CA
87	5304460603	Screw, 32, TH#6-32x1/2
100#	297075901	Cord-power, 220V
107	297194801	Panel, access
*	5304460605	Screw, ph truss head, 8-18AB x 0.500
130	297244700	Support, evaporator mtg
136	240405201	Grommet, rubber, black, cond tube/wire
141	297164200	Divider, air flow
141A	297194700	Divider, small, air flow
146	297164000	Shroud-fan orifice
*	297014500	Plug-suction line
*	297315800	Clip, wire
*	216502500	Sleeve, suction line
*	240555002	Screw-#8-32 X 3/8
*	297174300	Screw, self pierce, #8, 18x.63